



A SYSTEM FOR ALL REQUIREMENTS

TurboFogNeo Air Humidification



DRAABE
success is in the air

YOUR BENEFITS

TURBOFOGNEO AIR HUMIDIFICATION



Flexible positioning

Contrary to rigid pipe systems, the individual devices can be positioned exactly where humidification is required. All wall devices can be swivelled both horizontally and vertically.



Energy-efficient high-pressure nozzle system

Micro-fine atomization without compressed air, steam or ultrasound. With the use of frequency-controlled, high-pressure pulsation, only as much pressure is generated as is required for the actual output level configured. This saves additional money and energy.

Individual combination

From high halls to small rooms and winding spaces, the various devices can be combined with each other as required to achieve the ideal humidification results.

Minimal dimensions

The tiny devices adapt perfectly to the spatial conditions and allow small, energy-saving ventilators to be used.



Precise humidification

A digital control system guarantees precise activation of the air humidification. High-performance radial ventilators allow the aerosols to be distributed quickly into the air.

Stainless steel technology

All hydrophilic parts are made of high-quality stainless steel for a high level of value stability and hygiene.

Certified hygiene

The base system fulfils all of the requirements specified by the German Social Accident Insurance (DGUV) and has been awarded the international "Optimized Air Humidification" certificate. All DRAABE system components are also certified to Sheet 6 of VDI Standard 6022 and therefore incorporate recent technological developments.



ONE SOLUTION – LOTS OF COMBINATIONS

TURBOFOGNEO AIR HUMIDIFICATION



TurboFogNeo 8



TurboFogNeo 1



TurboFogNeo 2 x 1



TurboFogNeo 2

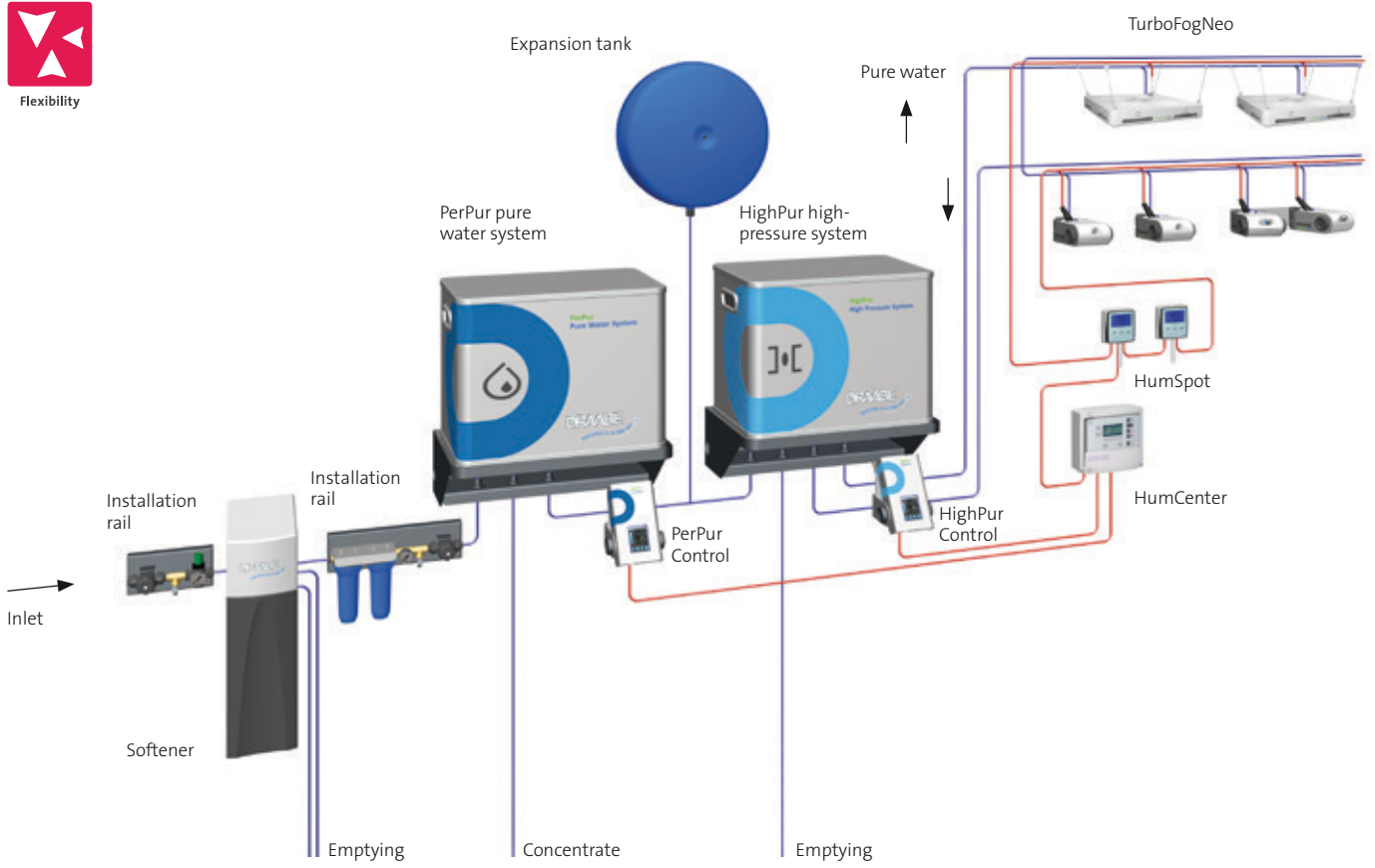


TurboFogNeo 2 x 2

The air humidification system TurboFogNeo has been designed for individual use in various spatial conditions. The flexible combination options of the varying devices ensure ideal humidification results as well as economic efficiency.

THE SYSTEM

TURBOFOGNEO AIR HUMIDIFICATION

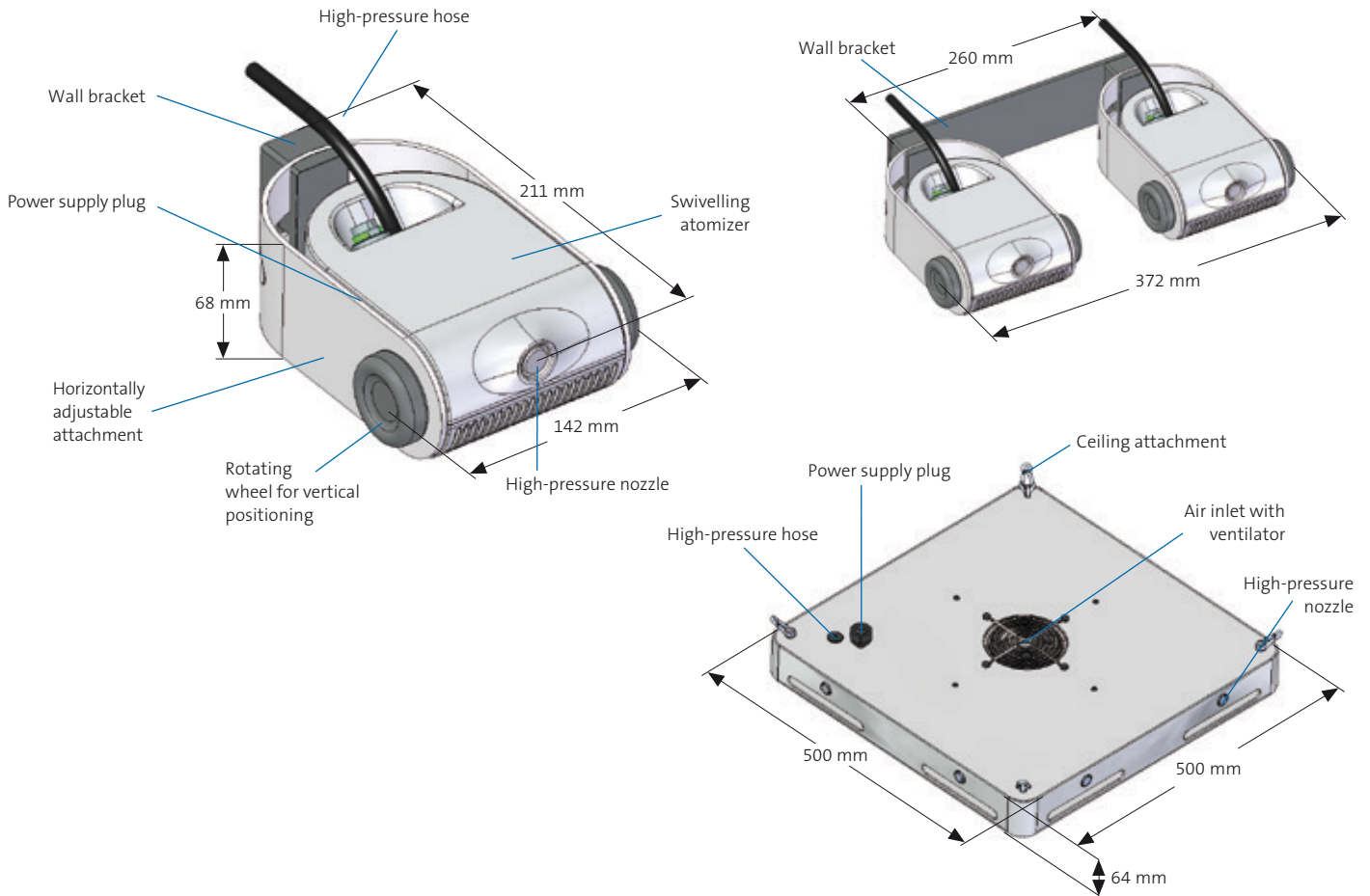


Technical details	TurboFogNeo 1	TurboFogNeo 2	TurboFogNeo 2x1	TurboFogNeo 2x2	TurboFogNeo 8
Performance (kg/h) max.*	4	8	8	16	32
Operating pressure	ca. 85 bar				
Droplet size (Sauter)	< 15µm				
Power supply	230VAC, 50 – 60Hz, + –10%			230VAC, 50 – 60Hz, + –10%	
	24VDC + –10%				
Power consumption (W)	6.2	6.2	12.4	12.4	34
Weight(kg)	1	1.1	2.2	2.4	8

*The performance depends on the nozzle used

THE SYSTEM

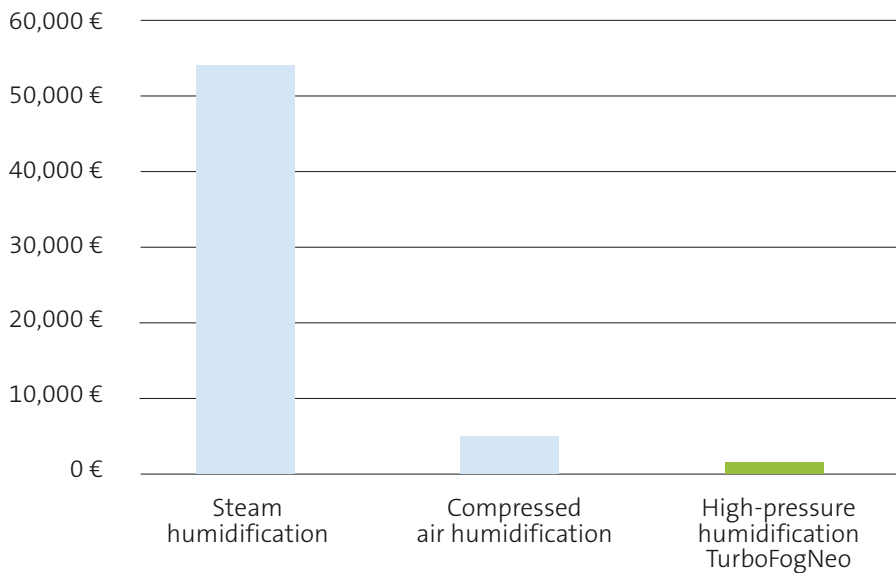
TURBOFOGNEO AIR HUMIDIFICATION



Energy cost comparison on an annual basis

Calculation basis:

- Humidification performance: 150 kg/h
- Power-on time: 3,000 hours p. a.
- Electricity price: 0.12 €/kWh



PURE WATER AND HIGH PRESSURE

TURBOFOGNEO AIR HUMIDIFICATION

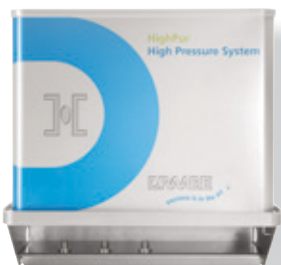


It's all about the right water!

For trouble-free and 100% hygienic operation of the TurboFogNeo air humidification system, the DRAABE pure water system PerPur produces highly pure water. Minerals and the finest impurities are filtered out and diverted in the form of a concentrate.

Advantages:

- No lime scale deposits in lines and nozzles
- Minimized amount of mineral discharge into the air
- Constant performance

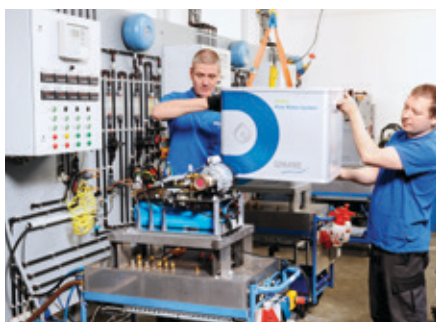


Don't accept anything less!

The key component of the DRAABE high-pressure air humidification system is the centrally installed high-pressure system HighPur. With an operating pressure of 85 bar, the system creates a pulsating hydraulic flow which in turn creates the micro-fine, absolute dripfree, pure water atomization.

Advantages:

- Low operating costs and resource-efficient
- High level of health protection thanks to the automated hygiene functions
- Microfine pure water atomization



Don't worry about a thing ...

As part of the full-service rental system, DRAABE takes on the biannual maintenance of the Pur systems. Every 6 – 8 months, DRAABE customers receive fully refurbished, disinfected replacement devices.

Advantages:

- 100% hygiene
- Life-long guarantee
- Consistent state-of-the-art technology



DIGITAL CONTROLS

TURBOFOGNEO AIR HUMIDIFICATION



HumSpot

The DRAABE HumSpot controls and monitors the humidification of the individual zones (e.g. rooms and working areas). The userfriendly menu navigation and the illuminated colour display guarantee a high level of operating ease and comfort.

Your advantages:

- Precise activation of the air humidifier as soon as the determined humidity level drops
- High measuring precision thanks to digital, capacitive humidity analysis technology
- Permanent status display of the relative humidity and room temperature

HumCenter

As the central control system for the entire air humidification system, the DRAABE HumCenter monitors, controls and analyses all humidification zones and the functions of the Pur container.

Your advantages:

- High level of operational safety thanks to the permanent status display and monitoring of all zones and Pur systems (unit protection)
- Malfunctions and service messages are clearly displayed
- Extensive analysis functions with long-term data storage
- Connection and data transfer to building services management systems possible



HYGIENE AND SAFETY

TURBOFOGNEO AIR HUMIDIFICATION

Trust is good – certification is better!

As the first provider of systems for direct room humidification, DRAABE is certified to the new VDI Standard 6022 part 6. This standard defines the best available technology and practices with respect to the planning, installation, operation and maintenance of decentralised humidification systems, which means that installed DRAABE systems can be tested and certified on site by the operator in accordance with VDI requirements.

VDI certification guarantees all DRAABE customers fully hygienic operation, compliance with the required hygiene measures, inspection intervals and germ limits, and therefore provides effective protection against liability risks.

The “Optimised Air Humidification” certificate from German Social Accident Insurance (DGUV) is a system certificate required for the successful VDI certification of DRAABE systems.



Hygiene first



Flexibility



Energy saving



Green & lean

DRAABE Industrietechnik GmbH

Member of the Condair Group

Schnackenburgallee 18

22525 Hamburg

Germany

T +49 40 853277-0

F +49 40 853277-44

draabe@draabe.com

www.draabe.com

DRAABE
success is in the air